

**PRODUCT: CONE TOP CAP (CCT\_\_)**

**MATERIALS:** COPPER

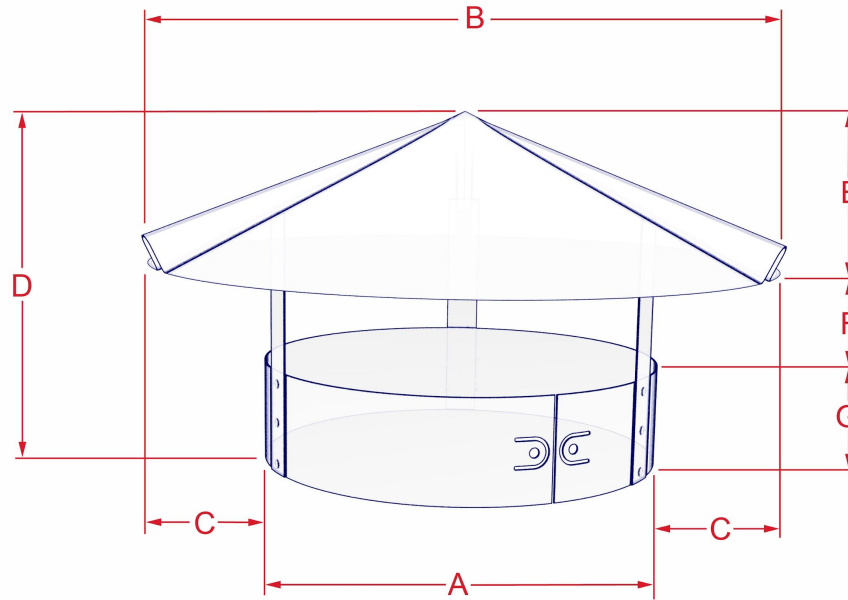
**SIZES:** 3" - 16"

**PRODUCT HIGHLIGHTS**

THE CONE TOP CAP IS FOR USE AS AN ALL-WEATHER CAP TO KEEP RAIN AND SNOW FROM LEAKING INTO CHIMNEY PIPE AS WELL AS FOR VENTILATION. CONVENIENT DRAWBOLT INSTALLATION FOR SECURE FIT UP TO SIZE 16", 18" & UP, BUILT TO FIT.

- KEEPS RAIN & SNOW OUT
- STANDARD IS WITHOUT SCREEN
- SCREEN SIZES AVAILABLE BY REQUEST ( 1/2", 1/4", OR 1/8" )

**AVAILABLE UP TO 24"  
(CALL FOR MORE INFO)**



COPPER	SIZE	A	B	C	D	E	F	G
CCT3	3"	3.00	6.50	1.50	4.25	2.50	1.00	2.00
CCT4	4"	4.00	7.50	1.75	5.75	2.50	1.25	2.00
CCT5	5"	5.00	8.75	1.75	5.75	2.50	1.25	2.00
CCT6	6"	6.00	10.25	2.00	6.50	3.00	1.50	2.00
CCT7	7"	7.00	11.50	2.00	6.50	2.75	1.75	2.00
CCT8	8"	8.00	12.50	2.25	7.00	3.00	2.00	2.00
CCT9	9"	9.00	14.00	2.50	7.75	3.25	2.50	2.00
CCT10	10"	10.00	15.00	2.75	8.50	3.50	3.00	2.00
CCT12	12"	12.00	18.00	3.00	10.00	4.00	4.00	2.00
CCT14	14"	14.00	21.00	3.50	10.00	4.00	4.00	2.00
CCT16	16"	16.00	21.50	3.75	10.00	4.25	3.75	3.00