

**PRODUCT: COPPER RECTANGULAR WALL VENT CAP | (RC\_\_)**

**MATERIALS:** COPPER

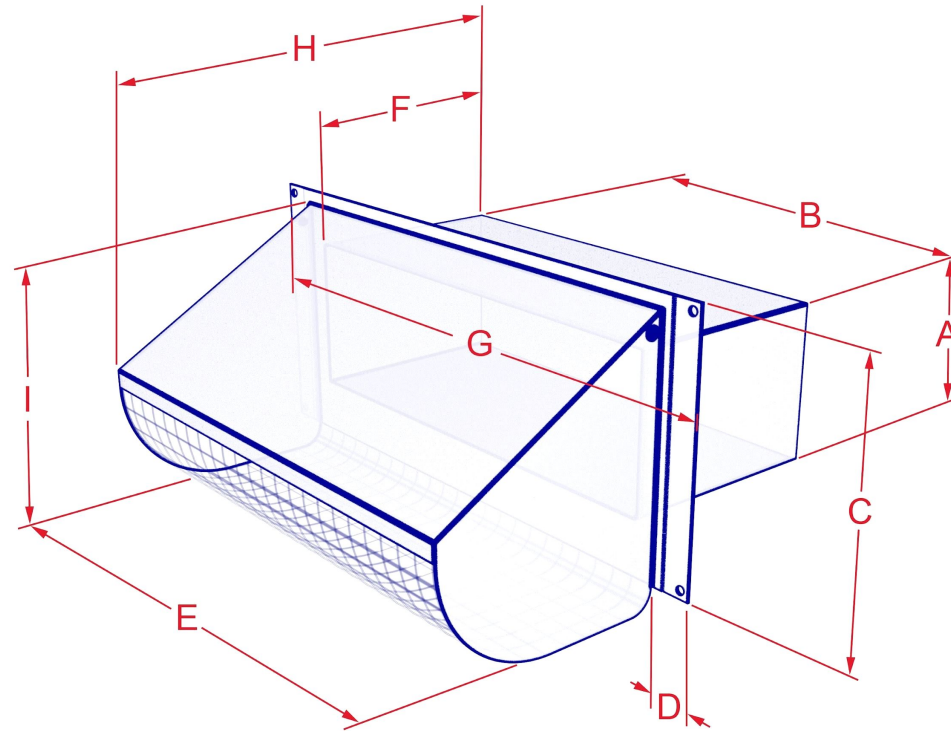
**SIZES:** 3.25 X 10" | SCREEN ONLY, DAMPER ONLY, DAMPER & SCREEN



**PRODUCT HIGHLIGHTS**

THE RECTANGULAR WALL CAP IS IDEAL FOR USE AS KITCHEN FAN EXHAUST. HEAVY DUTY CONSTRUCTION WITH SPRING CLOSURE DAMPER AND WEATHER SEAL FOR INCREASED ENERGY EFFICIENCY AND NOISE REDUCTION.

- HOOD DESIGN PREVENTS WIND INDUCED RATTLING AND RAIN PENETRATION
- 16 OZ. COPPER
- DAMPER IS SPRING LOADED AND HAS A FOAM SEAL TO ENSURE MAXIMUM NOISE AND WEATHER PROTECTION
- ALL COPPER WALL CAPS ARE MANUFACTURED WITH COPPER SCREEN INSTALLED
- 1/4" COPPER SCREEN



DAMPER	DAMPER & SCREEN	SIZE	A	B	C	D	E	F	G	H
RC310	RC310S	3.25 X 10"	3.25	10.00	5.825	1.00	11.00	4.875	12.75	9.50



**EMAIL:** DAVE@LUXURYMETALS.COM  
**PHONE:** (206) 406-7346 | **WEBSITE:** WWW.LUXURYMETALS.COM



Luxury Metals LLC  
4708 W Fairview Ave #100  
Boise, ID 83706