

PRODUCT: ROOF MOUNT EXHAUST VENT (RDV__)

MATERIALS: GALVANIZED & ALUMINUM

SIZES: 4" - 10"



PRODUCT HIGHLIGHTS

THE ROOF MOUNT EXHAUST VENT IS IDEAL FOR USE AS BATHROOM AND RANGE HOOD VENTILATION. IT CAN ALSO BE USED AS DRYER VENTILATION, MUST REMOVE SCREEN.

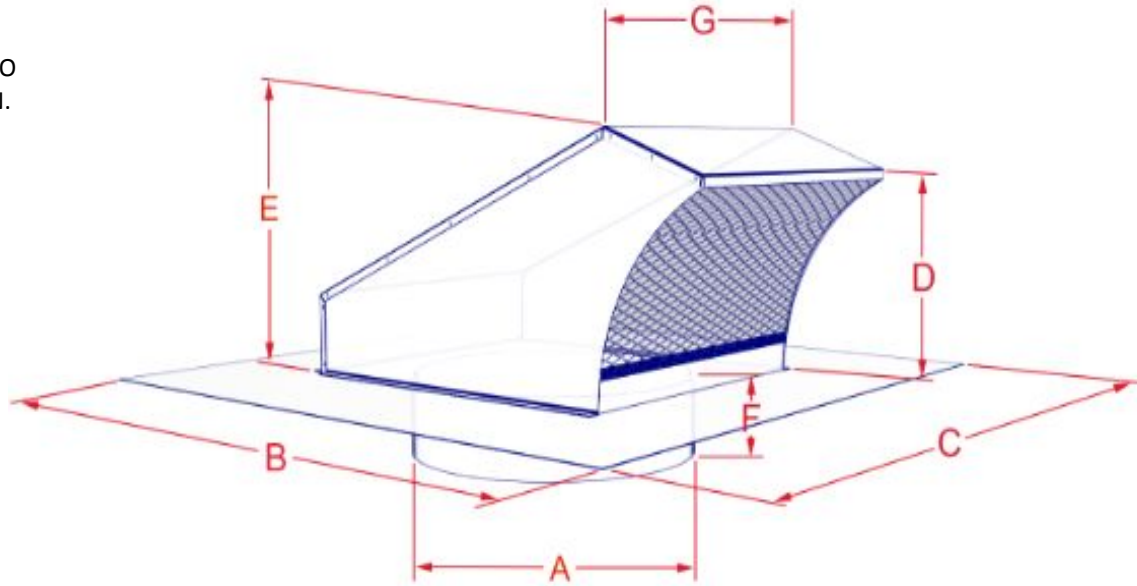
- LOW SILHOUETTE
- WITH OR WITHOUT DAMPER
- NOT RECOMMENDED FOR USE ON FLAT ROOFS
- 1/4" 1/8" SCREEN AVAILABLE
- INTAKE OR EXHAUST VENTING
- GALVANIZED (G-90)
- ALUMINUM (H3003)

SPECIFICATION KEY

SPECIFY MATERIAL AFTER PART

G = GALVANIZED (RDV**G**#)

A = ALUMINUM (RDV**A**#)



SKU	SIZE	A (COLLAR SIZE)	B	C	D	E	F	G
RDV__4	4"	4.00	13.50	13.50	3.875	4.50	2.00	5.50
RDV__5	5"	5.00	13.50	13.50	3.875	4.50	2.00	5.50
RDV__6	6"	6.00	17.00	17.00	5.125	6.125	2.00	8.50
RDV__7	7"	7.00	17.00	17.00	5.125	6.125	2.00	8.50
RDV__8	8"	8.00	17.00	17.00	5.125	6.125	2.00	8.50
RDV__9	9"	9.00	20.00	20.00	5.25	6.125	2.00	11.25
RDV__10	10"	10.00	20.00	20.00	5.25	6.125	2.00	11.25



EMAIL: DAVE@LUXURYMETALS.COM
PHONE: (206) 406-7346 | **WEBSITE:** WWW.LUXURYMETALS.COM



Luxury Metals LLC
4708 W Fairview Ave #100
Boise, ID 83706