

PRODUCT: STAINLESS STEEL RECTANGULAR WALL VENT CAP (RS__)

MATERIALS: STAINLESS STEEL

SIZES: 3.25" X 10" | DAMPER ONLY, SCREEN ONLY, DAMPER & SCREEN



PRODUCT HIGHLIGHTS

STAINLESS STEEL WALL CAPS ARE MANUFACTURED FROM ALL 304-2B STAINLESS STEEL MATERIAL.

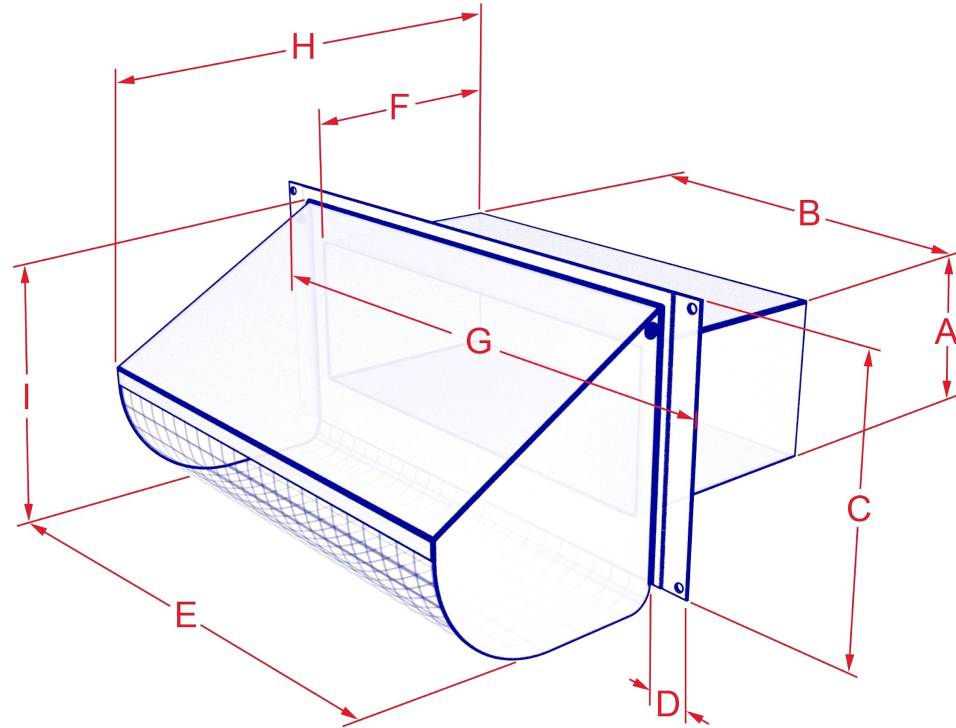
- WITH DAMPER ONLY OR DAMPER & SCREEN
- 1/4" STAINLESS STEEL SCREEN

MATERIAL & COLOR KEY

SPECIFY DAMPER & SCREEN OPTIONS BEFORE PART

LEAVE BLANK = DAMPER ONLY (RS310#)

S = SCREEN ONLY (RS310S)



SKU	SIZE	A	B	C	D	E	F	G	H	I
RS__	3.25" x 10"	3.25	10.00	5.825	1.00	11.00	4.875	12.75	9.50	4.25



EMAIL: DAVE@LUXURYMETALS.COM
PHONE: (206) 406-7346 | **WEBSITE:** WWW.LUXURYMETALS.COM



Luxury Metals LLC
4708 W Fairview Ave #100
Boise, ID 83706