

PRODUCT: WALL VENT CAP (_WV__)

MATERIALS: GALVANIZED, ALUMINUM

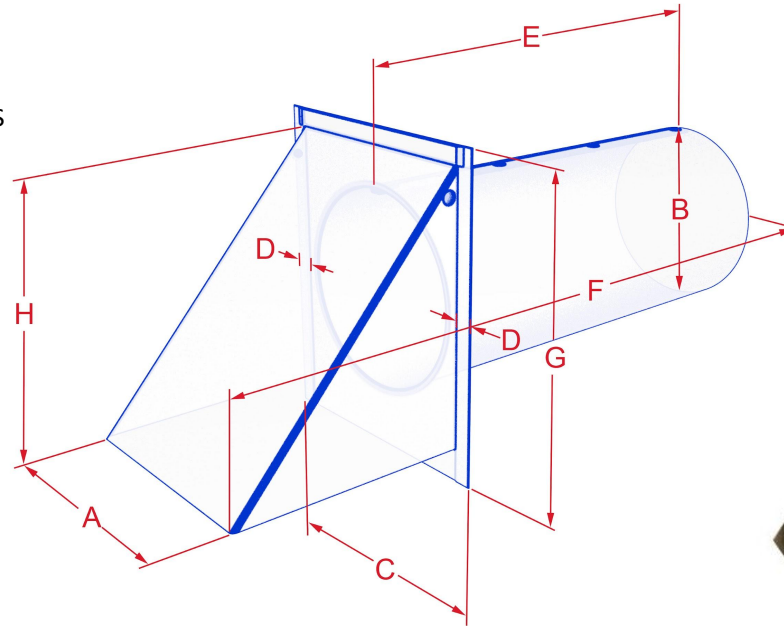
SIZES: 3" - 14" | SCREEN ONLY, DAMPER ONLY, DAMPER & SCREEN



PRODUCT HIGHLIGHTS

THE WALL CAP IS IDEAL FOR USE WITH THE DAMPER ONLY DRYER VENTING, KITCHEN FAN EXHAUST, BATH FAN EXHAUST, FURNACE AIR INTAKE (SCREEN ONLY), WHOLE HOUSE VENTILATIONS, AND HRV'S. VENTS WITH DAMPERS COME STANDARD WITH A SPRING CLOSURE DAMPER AND WEATHER SEAL FOR INCREASED ENERGY

- SPRING CLOSE FOAM LINED DAMPERS
- SCREENS ARE 1/4"
- 1/8" SCREENS AVAILABLE UPON REQUEST
- GALVANIZED ((G-90)
- ALUMINUM (H3003)
- POWDER COATED COLORS (BLACK, BROWN, WHITE)
- HOOD, FLANGE & DAMPER



SPECIFICATION KEY

SPECIFY DAMPER & SCREEN OPTIONS BEFORE PART

- D = DAMPER ONLY (**D**WV__#)
- S = SCREEN ONLY (**S**WV__#)
- SD = DAMPER & SCREEN (**SD**WV__#)

SPECIFY MATERIAL AFTER PART

- G = GALVANIZED (**_WVG#**)
- A = ALUMINUM (**_WVA#**)

SKU	SIZE	A	B	C	D	E	F	G	H
__WV__3	3"	5.00	3.00	6.00	.5	8.50	12.375	6.625	5.375
__WV__4	4"	5.00	4.00	6.00	.5	8.50	12.3875	6.625	5.375
__WV__5	5"	6.00	5.00	7.00	.5	8.50	12.250	7.00	6.125
__WV__6	6"	7.0625	6.00	8.00	.5	8.50	12.750	8.00	7.375
__WV__7	7"	7.875	7.00	9.00	.5	8.50	13.750	9.00	7.875
__WV__8	8"	9.875	8.00	11.00	.5	8.50	13.625	11.00	9.812
__WV__10	10"	12.00	10.00	13.00	.5	8.50	15.00	13.50	11.812
__WV__12	12"	13.00	12.00	12.00	.5	8.50	17.250	14.5625	13.375
__WV__14	14"	15.00	14.00	14.00	.5	8.50	19.500	16.750	15.000



EMAIL: DAVE@LUXURYMETALS.COM
PHONE: (206) 406-7346 | **WEBSITE:** WWW.LUXURYMETALS.COM



Luxury Metals LLC
 4708 W Fairview Ave #100
 Boise, ID 83706