

PRODUCT: AERO-FOIL GRAVITY VENTILATOR (AFL__)

MATERIALS: GALVANIZED, ALUMINUM & STAINLESS STEEL

SIZES: 4" - 36"



LUXURY METALS

PRODUCT HIGHLIGHTS

THE AER-FOIL GRAVITY VENT IS A MULTI-PURPOSE VENTILATOR THAT SERVES AS AN EFFECTIVE RAIN CAP.

- GALVANIZED STEEL (24-26 GAUGE)
- ALUMINUM (.025)
- STAINLESS STEEL (304-2B)
- POSITIVE EXHAUST REGARDLESS OF WIND DIRECTION
- ELIMINATES BACKDRAFT
- NO MOVING PARTS
- UNOBSTRUCTED AIR PASSAGE
- WEATHER PROTECTED

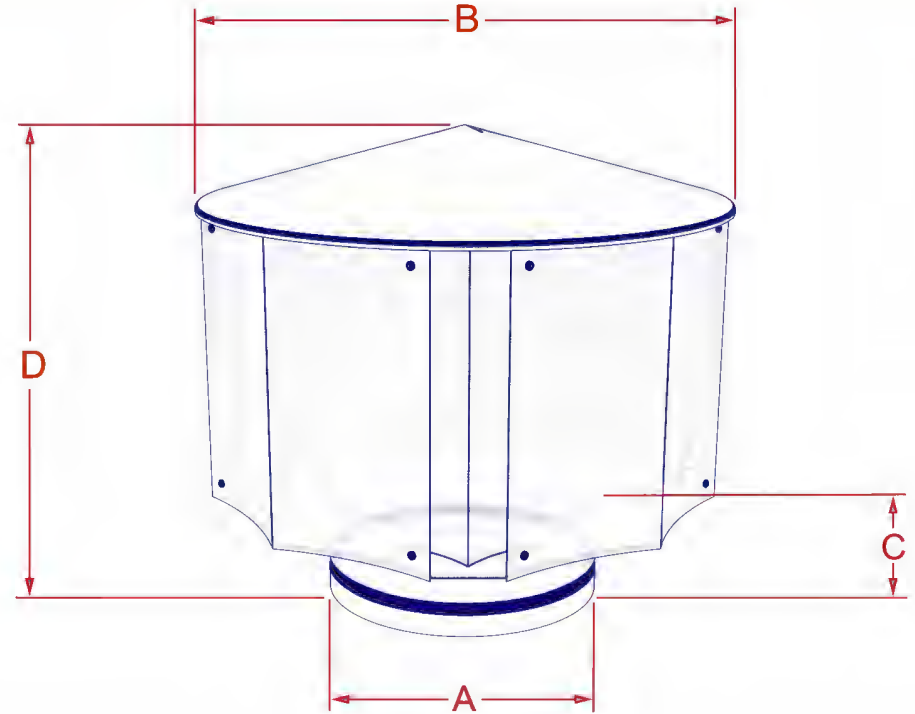
SPECIFICATION KEY

SPECIFY MATERIAL AFTER PART

G = GALVANIZED (AFL#G)

A = ALUMINUM (AFL#A)

S = STAINLESS STEEL (AFL#S)



SKU	SIZE	A	B	C	D
AFL4_	4"	4.00	7.00	2.00	5.00
AFL5_	5"	5.00	8.25	2.50	6.33
AFL6_	6"	6.00	9.25	2.75	8.00
AFL7_	7"	7.00	11.50	3.00	8.5
AFL8_	8"	8.00	12.50	3.25	11.00
AFL9_	9"	9.00	13.375	3.25	12.75
AFL10_	10"	10.00	15.00	2.875	16.00
AFL12_	12"	12.00	17.75	2.875	19.00

SKU	SIZE	A	B	C	D
AFL14_	14"	14.00	19.625	2.875	22.5
AFL16_	16"	16.00	21.875	2.125	25.5
AFL18_	18"	18.00	25.00	2.125	28.75
AFL20_	20"	20.00	27.5	2.125	32.00
AFL24_	24"	24.00	31.00	3.125	28.25
AFL30_	30"	30.00	38.25	3.225	48.00
AFL36_	36"	36.00	45.00	3.250	57.5



EMAIL: DAVE@LUXURYMETALS.COM

PHONE: (206) 406-7346 | WEBSITE: WWW.LUXURYMETALS.COM



Luxury Metals LLC,
2187 SW Main St # 10,
Portland, OR 97205