

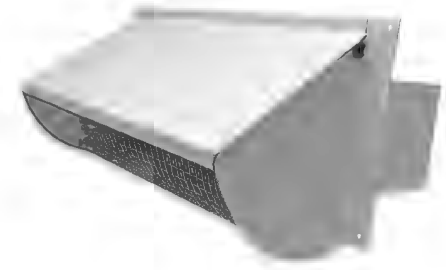
**PRODUCT: RECTANGULAR - WALL VENT CAP | (R\_\_\_\_\_)**

**MATERIALS:** GALVANIZED, STAINLESS STEEL, ALUMINUM, COPPER & POWDER COATED

**SIZES:** 3.25 X 10", 3.25 X 12", 3.25 X 14" | SCREEN ONLY, DAMPER ONLY, DAMPER & SCREEN



**LUXURY METALS**



**PRODUCT HIGHLIGHTS**

THE RECTANGULAR WALL CAP IS IDEAL FOR USE AS KITCHEN FAN EXHAUST. HEAVY DUTY CONSTRUCTION WITH SPRING CLOSURE DAMPER AND WEATHER SEAL FOR INCREASED ENERGY EFFICIENCY AND NOISE REDUCTION.

- GALVANIZED (G90, 26GA)
- STAINLESS STEEL (304-2B)
- ALUMINUM (020)
- COPPER (16 OZ)
- POWDER COATED GALVANIZED IN BLACK, BROWN OR WHITE
- W/SCREEN, W/O SCREEN
- 1/4" GALVANIZED SCREEN
- 1/4" STAINLESS STEEL SCREEN
- 1/4" ALUMINUM
- CUSTOM COLOR MATCH AVAILABLE ON LARGE QUANTITY ORDERS
- RAL COLOR CODE REQUIRED



**EMAIL:** [DAVE@LUXURYMETALS.COM](mailto:DAVE@LUXURYMETALS.COM)  
**PHONE:** (206) 406-7346 | **WEBSITE:** [WWW.LUXURYMETALS.COM](http://WWW.LUXURYMETALS.COM)



Luxury Metals LLC,  
2187 SW Main St # 10,  
Portland, OR 97205

**PRODUCT: RECTANGULAR - WALL VENT CAP | (R\_\_\_\_\_)**

**MATERIALS:** GALVANIZED, ALUMINUM & POWDER COATED

**SIZES:** 3.25 X 10", 3.25 X 12", 3.25 X 14" | SCREEN ONLY, DAMPER ONLY, DAMPER & SCREEN

**MATERIAL & COLOR KEY**

SPECIFY MATERIAL AFTER PART

LEAVE BLANK = GALVANIZED (R #)

S = STAINLESS STEEL (RS #)

A = ALUMINUM (RA #)

SPECIFY DAMPER & SCREEN OPTIONS BEFORE PART

D = DAMPER ONLY (R\_#D)

S = SCREEN ONLY (R\_#S)

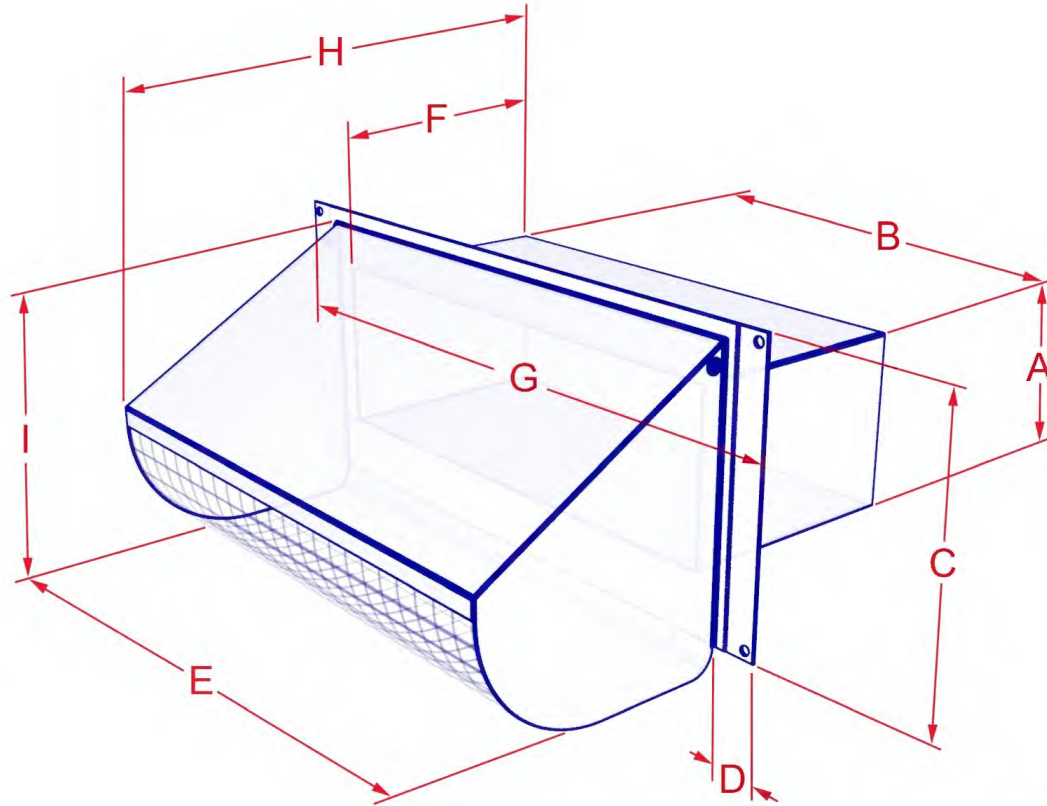
SD = DAMPER & SCREEN (R\_#SD)

SPECIFY POWDER COATED COLORS AT END OF PART

BL = BLACK (RP\_#BL)

BR = BROWN (RP\_#BR)

W = WHITE (RP\_#W)



SKU	SIZE	A	B	C	D	E	F	G	H
R_310_	3.25 X 10"	3.25	10.00	5.635	1.00	11.00	4.875	12.75	9.50
R_312_	3.25 X 12"	3.25	12.00	5.625	1.00	12.875	4.875	14.563	9.50
R_314_	3.25 X 14"	3.25	14.00	5.625	1.00	15.875	4.875	16.563	9.50